

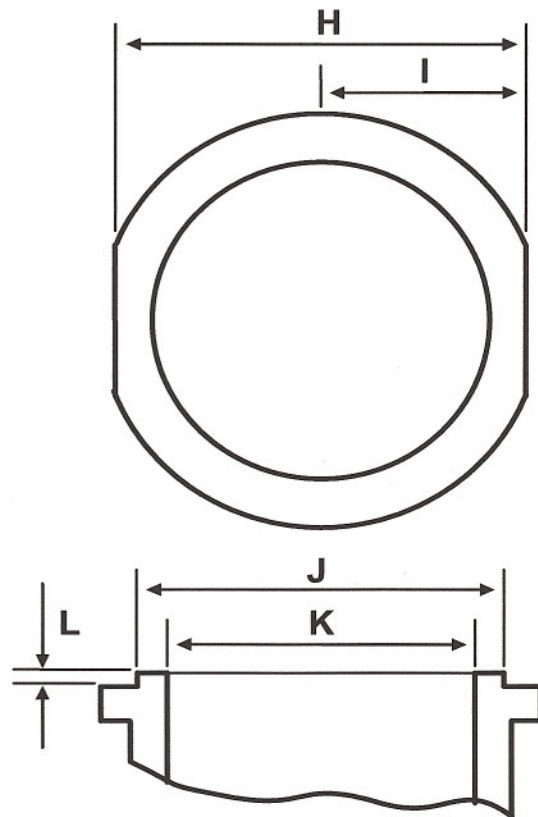
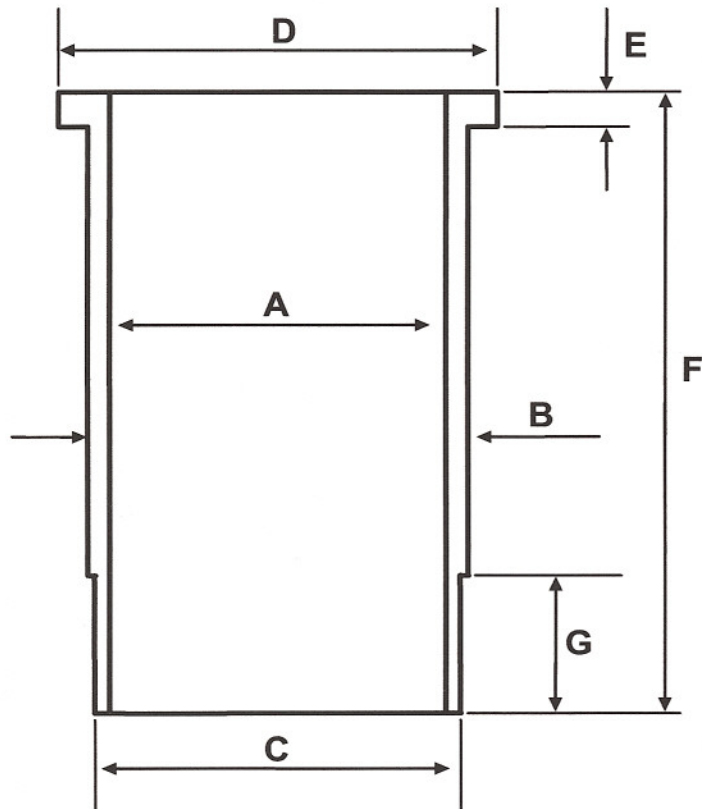
WESTWOOD CYLINDER LINERS

Pt No :

Westwood Use Only

Special Liner Enquiry / Order Form

Faxback on : 01905 796414



LINER DIMENSIONS

- A : Finish Bore Size.....
 B : Outside Diameter.....
 C : Spigot Diameter.....
 D : Flange Diameter.....
 E : Flange Depth.....
 F : Overall Length.....
 G : Spigot Length.....
 H : Diameter for 2 Flat.....
 I : Diameter for 1 Flat.....
 J : Fire Lip Diameter.....
 K : Fire Lip I/D.....
 L : Fire Lip Height.....

For wet liners please send full drawing
or contact us directly

CUSTOMER INFORMATION

- Qty Required.....
 Make.....Model.....
 Name / Company.....
 Address.....
Post Code.....
 Tel.....
 Fax.....
 Email.....
 Signed.....
 Date.....

UNIT 3, GEORGE BAYLIS COURT, GEORGE BAYLIS RD, DROITWICH, WORCS, WR9 9RB
 TEL : + 44 (0) 1905 799470 FAX :+ 44 (0)1905 796414

SALES@WESTWOODCYLINDERLINERS.CO.UK

WWW.WESTWOODCYLINDERLINERS.CO.UK