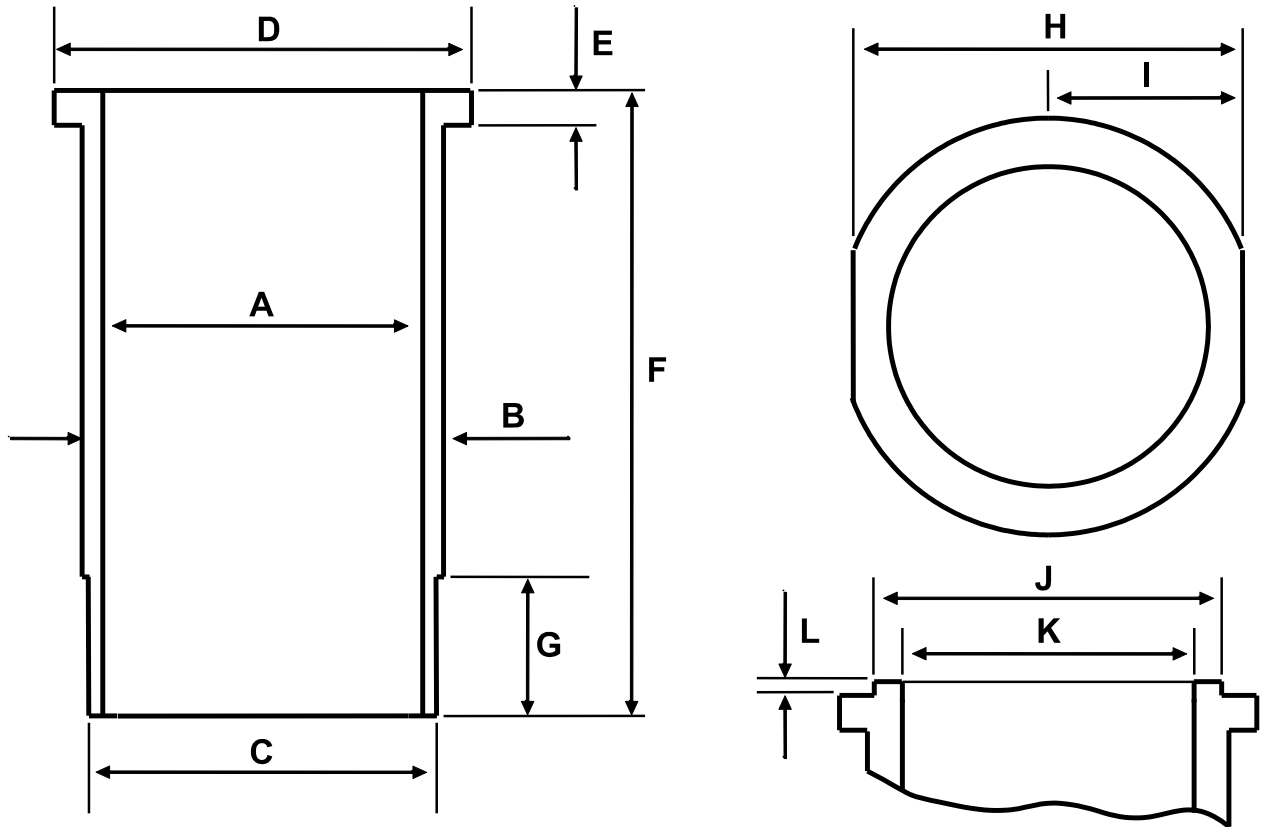


Special Liner Enquiry / Order Form
Email form to : sales@westwoodcylinderliners.co.uk



LINER DIMENSIONS

- A : Finish Bore Size.....
- B : Outside Diameter.....
- C : Spigot Diameter.....
- D : Flange Diameter.....
- E : Flange Depth.....
- F : Overall Length.....
- G : Spigot Length.....
- H : Diameter for 2 Flat.....
- I : Diameter for 1 Flat.....
- J : Fire Lip Diameter.....
- K : Fire Lip I/D.....
- L : Fire Lip Height.....

For wet liners please send full drawing
or contact us directly

CUSTOMER INFORMATION

- Qty Required.....
- Material : Standard Cast Iron Ductile Iron
- Make.....Model.....
- Name / Company.....
- Address.....
-Post Code.....
- Tel.....
- Email.....
- Signed.....Date.....